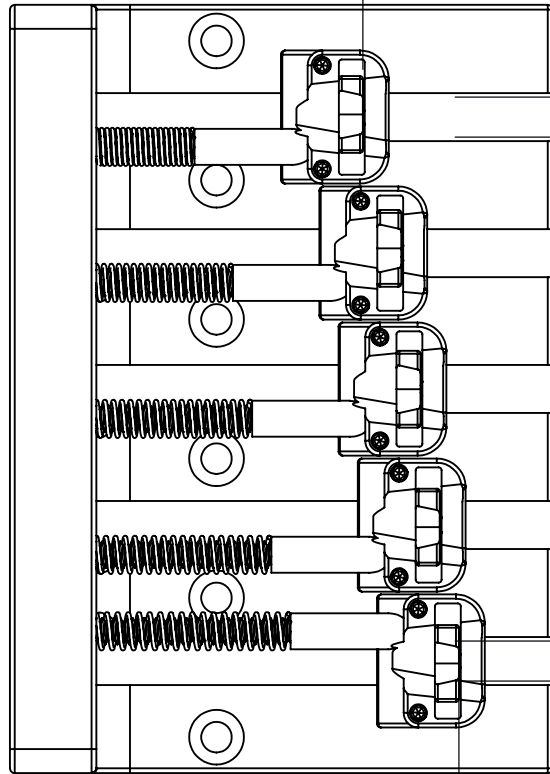


0.99
MAX INTONATION

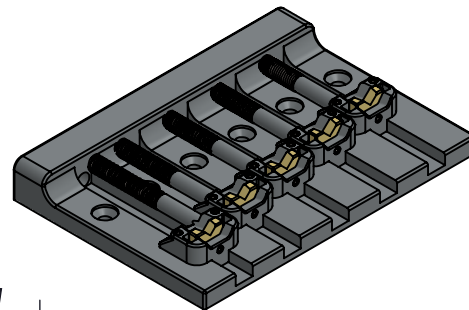


0.49
MIN INTONATION

0.58
MAX STRING HEIGHT

2.62 (.656)
MIN STRING SPACING

3.04 (.750)
MAX STRING SPACING

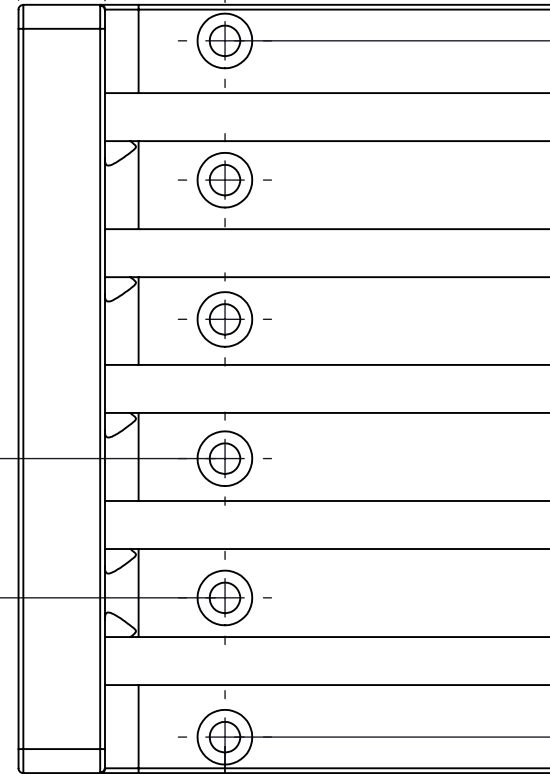


0.40
MIN STRING HEIGHT

WEIGHT (WITH MOUNTING HARDWARE): 1.1oz

0.450

0.725
MOUNT HOLE SPACING



2.825

1.075

1.750

0.188

0.188

4.000

THIS DRAWING IS THE SOLE PROPERTY OF HIPSHOT PRODUCTS, INC.
ALL RIGHTS ARE RESERVED.
DIMENSIONS AND PRODUCT FEATURES ARE SUBJECT TO CHANGE
WITHOUT NOTICE.

UNLESS OTHERWISE SPECIFIED:
DIMENSIONS ARE IN INCHES
TOLERANCE: ± .005

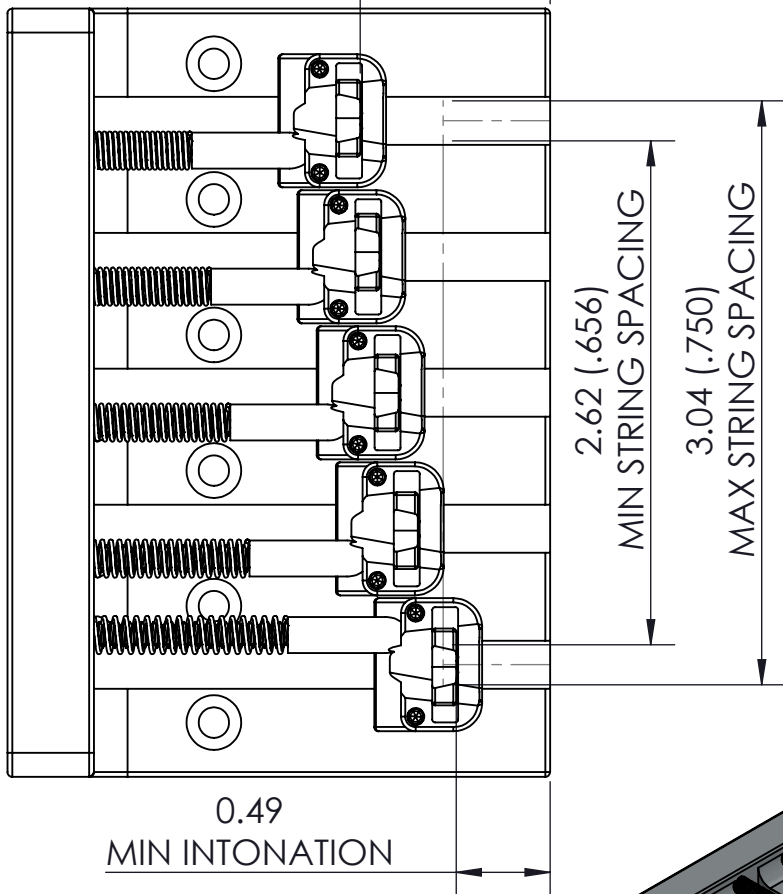
IMAGE NOT DRAWN
TO SCALE



8248 STATE ROUTE 96
Interlaken, NY 14847 U.S.A.
TEL: 607-532-9404 FAX: 607-532-9530
E-MAIL: info@HipshotProducts.com

5K500 KICKASS BASS BRIDGE
MOUNTING HOLE STYLE I
(RETROFITS BADASS®)

0.99
MAX INTONATION

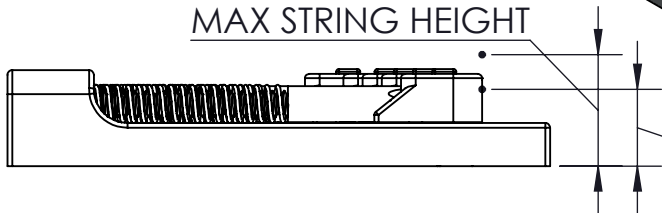


0.49
MIN INTONATION

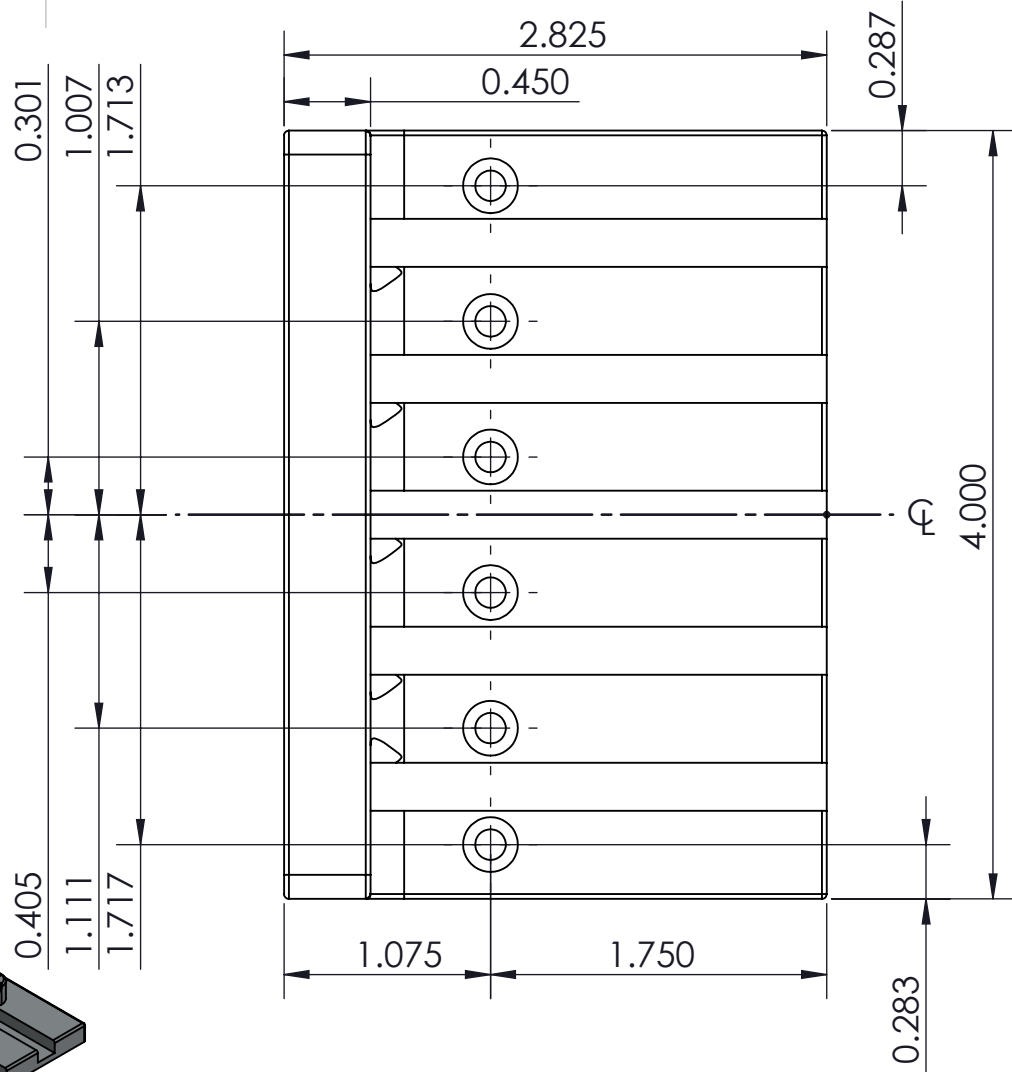
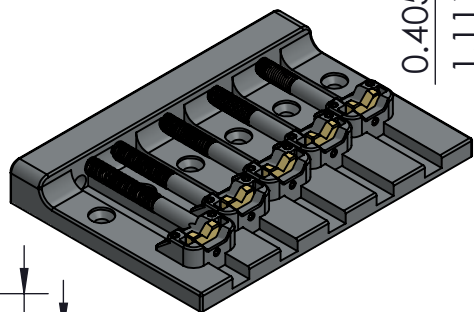
2.62 (.656)
MIN STRING SPACING

3.04 (.750)
MAX STRING SPACING

0.58
MAX STRING HEIGHT



0.40
MIN STRING HEIGHT



WEIGHT (WITH MOUNTING HARDWARE): 11oz

THIS DRAWING IS THE SOLE PROPERTY OF HIPSHOT PRODUCTS, INC.
ALL RIGHTS ARE RESERVED.
DIMENSIONS AND PRODUCT FEATURES ARE SUBJECT TO CHANGE
WITHOUT NOTICE.

UNLESS OTHERWISE SPECIFIED:
DIMENSIONS ARE IN INCHES
TOLERANCE: ± .005

IMAGE NOT DRAWN
TO SCALE



8248 STATE ROUTE 96
Interlaken, NY 14847 U.S.A.
TEL: 607-532-9404 FAX: 607-532-9530
E-MAIL: info@HipshotProducts.com

5K500 KICKASS BASS BRIDGE
MOUNTING HOLE STYLE II
(RETROFITS SQUIER®)

*SQUIER IS A REGISTERED TRADEMARK OF FMIC®. HIPSHOT® IS NOT AFFILIATED WITH FMIC®