

# INSTALLATION INSTRUCTIONS FOR HIPSHOT STRING BENDING SYSTEM

Telecaster *B-BENDER, E-D TOGGLE'S, & A-G TOGGLE*

**HIPSHOT PRODUCTS, INC.**

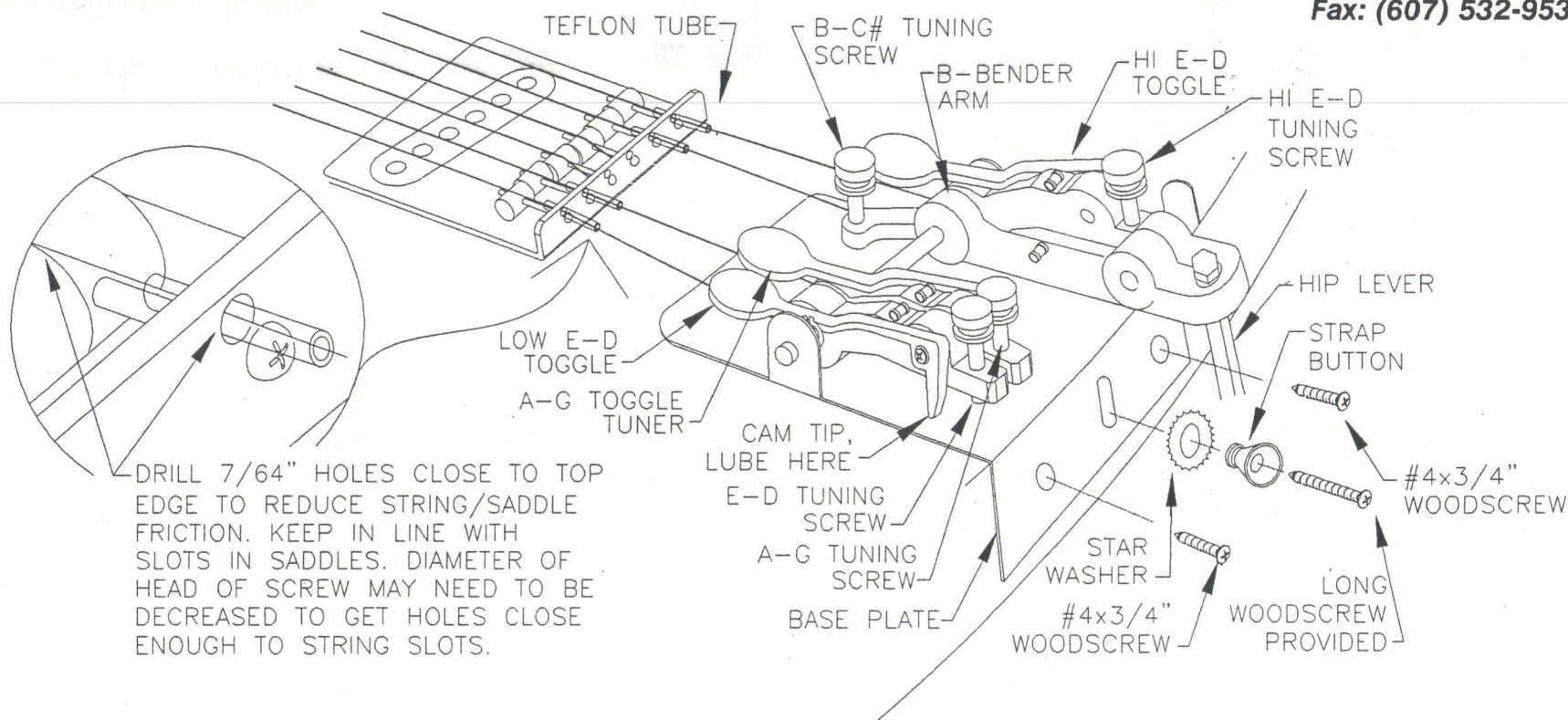
8248 State Route 96, Interlaken, NY 14847

[www.hipshotproducts.com](http://www.hipshotproducts.com)

Email: [hipshot@hipshotproducts.com](mailto:hipshot@hipshotproducts.com)

Phone: (607) 532-9404

Fax: (607) 532-9530



1. Remove high E, B, A and low E strings.

2. Remove rear strap button.

3. Position Hipshot over screw hole. Using longer wood screw provided, refasten strap button, inserting star lockwasher between strap button and Hipshot as shown. Be sure that Hipshot rests snugly against the face of guitar. Tighten screw securely. Install additional (#4x3/4") wood screws for added stability.

4. Using new strings, thread 1st, 2nd, 5th and 6th strings through the teflon sleeves provided, and through the guitar bridge. Wrap strings on tuning pegs several times for greater tuning stability. Leave strings slightly loose at this time.

5. When changing strings, put a small dab of Lithium grease under the string tree, on the nut slots, and on the top of the bridge under the 1st, 2nd, 5th and 6th strings. This will reduce friction and insure accurate tuning. Also lube between the A-G and the E-D toggle tuner cam tips and base plate.

6. Line up the B-Bender, G-A Toggle and both E-D Toggles so strings are straight from the neck, through the bridge to the Hipshot (See "Positioning Hipshot String Bending System Using Blade & Phillips Screwdriver - Detail 1).

7. Guitar is now ready to tune up to pitch. Tune B-C#, G-A and high and low E-D notes by using appropriate tuning screws. (Note: several tunings will be necessary as the strings will initially stretch.)

For Stratocaster  
See Stratocaster installation instructions.