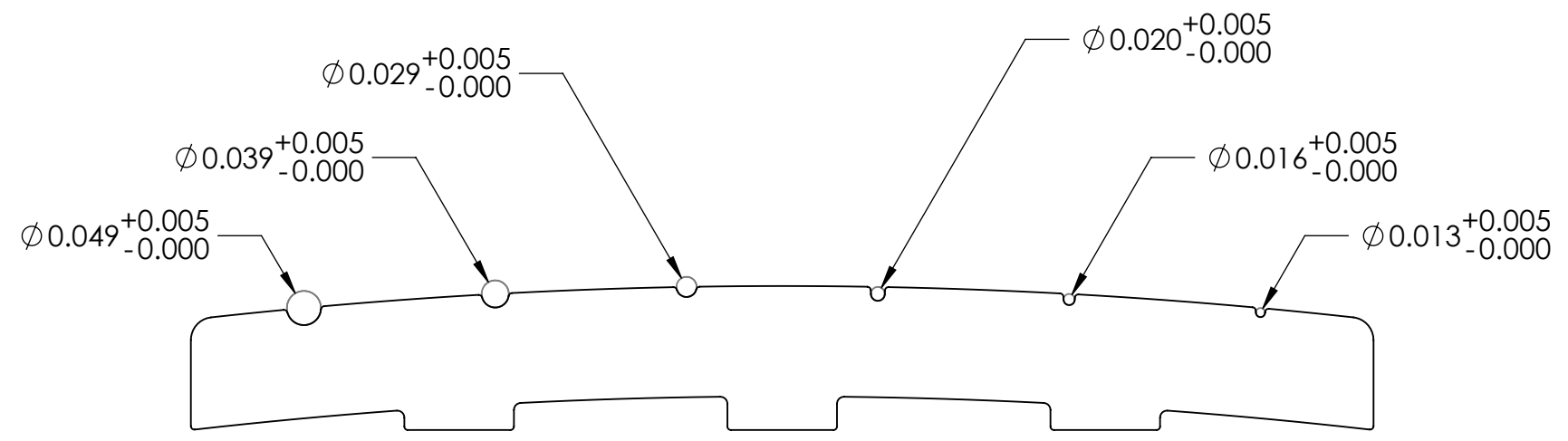
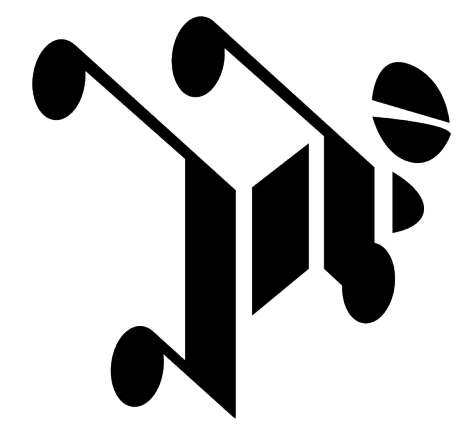
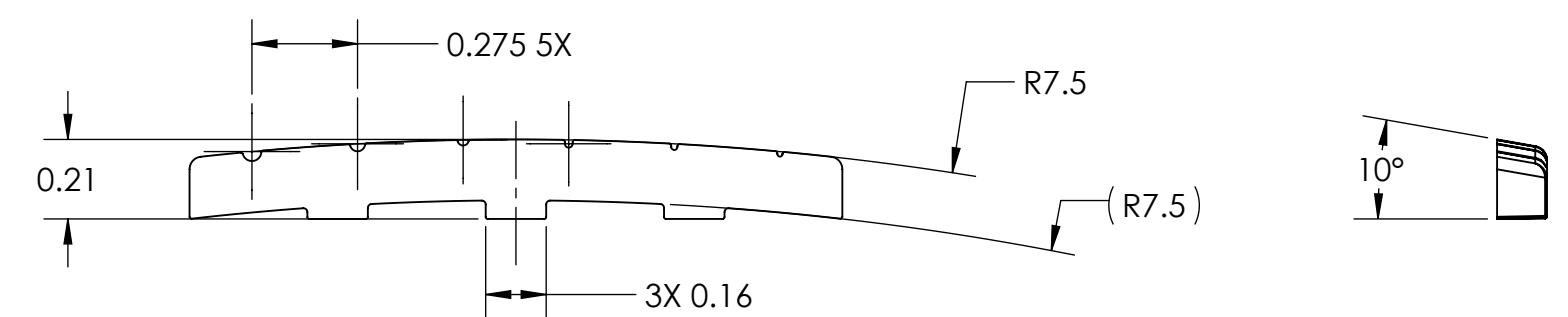
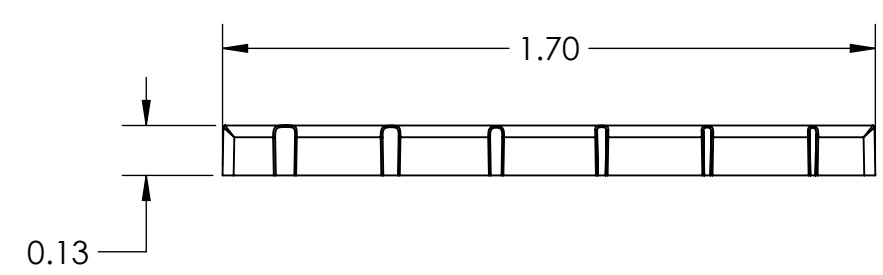
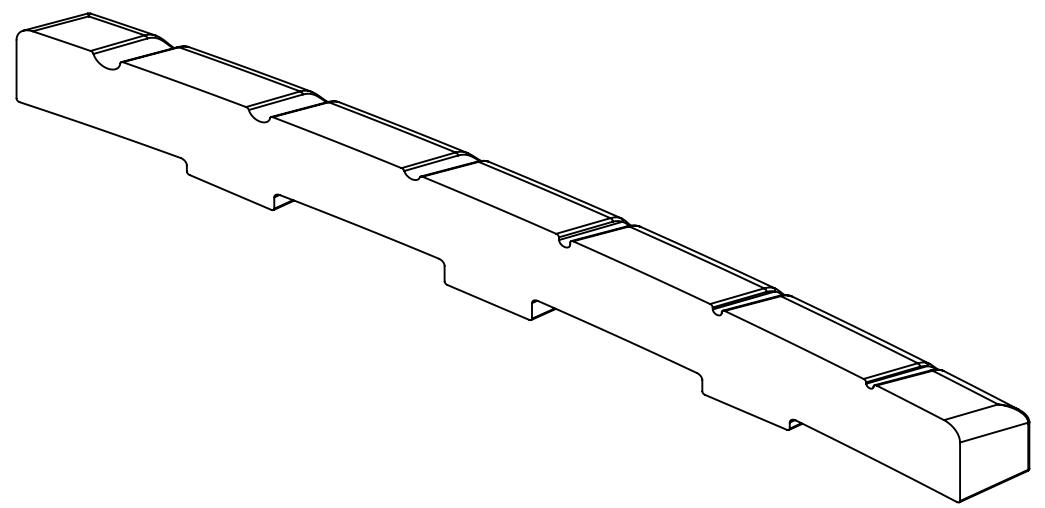


8 7 6 5 4 3 2 1



FRONT VIEW
SCALE 4:1



PROPRIETARY AND CONFIDENTIAL
THE INFORMATION CONTAINED IN THIS
DRAWING IS THE SOLE PROPERTY OF
SKYWAY INTERNATIONAL INC. ANY
REPRODUCTION IN PART OR AS A WHOLE
WITHOUT THE WRITTEN PERMISSION OF
SKYWAY INTERNATIONAL INC IS
PROHIBITED.

UNLESS OTHERWISE SPECIFIED:		NAME	DATE	SKYWAY INTERNATIONAL INC.	
DIMENSIONS ARE IN INCHES		DRAWN	EE	4/8/15	TITLE: NUT-001 GUITAR NUT
TOLERANCES:		CHECKED			
FRACTIONAL: $\pm 1/64$		ENG APPR.			
ANGULAR: $\pm 0.5^\circ$		MFG APPR.			
ONE PLACE DECIMAL: $\pm .015$		Q.A.			SIZE B
TWO PLACE DECIMAL: $\pm .010$		COMMENTS:			
THREE PLACE DECIMAL: $\pm .005$				REV B	
INTERPRET GEOMETRIC TOLERANCING PER: ASME Y14.5M-1994				SCALE: 2:1	
MATERIAL				WEIGHT: N/A	
FINISH				SHEET 1 OF 1	
DO NOT SCALE DRAWING					

8 7 6 5 4 3 2 1