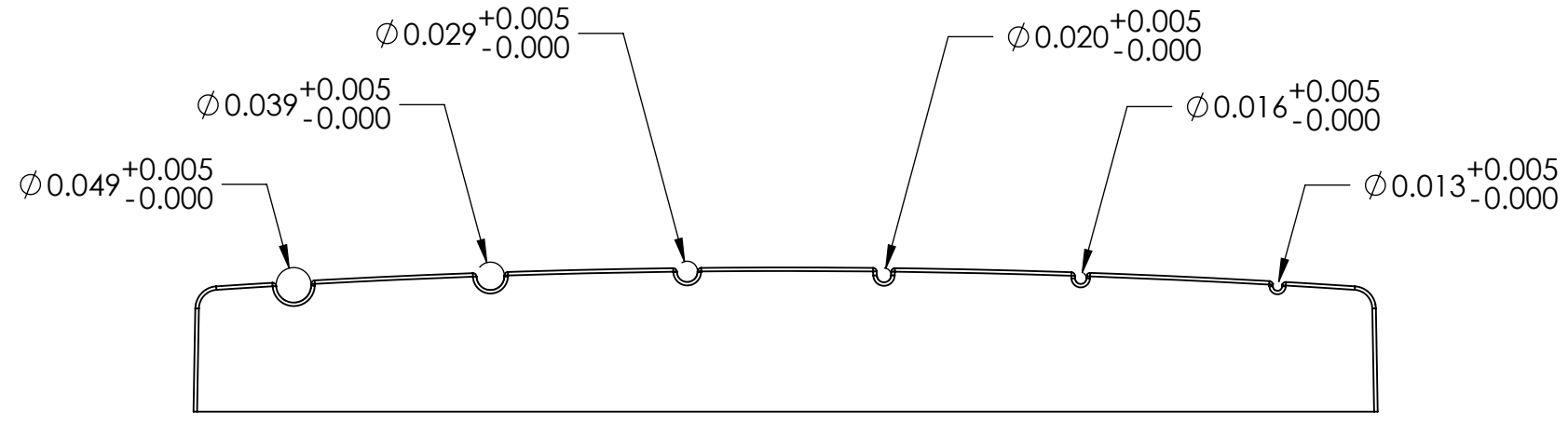


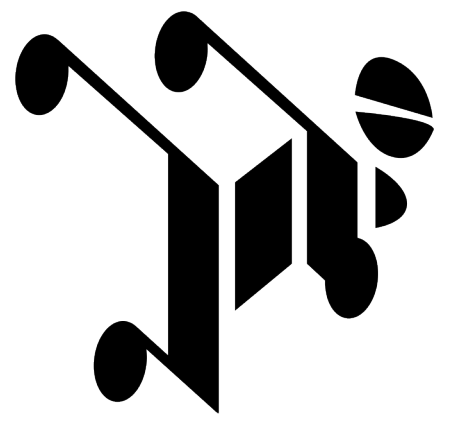
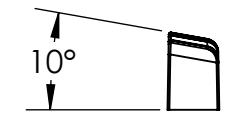
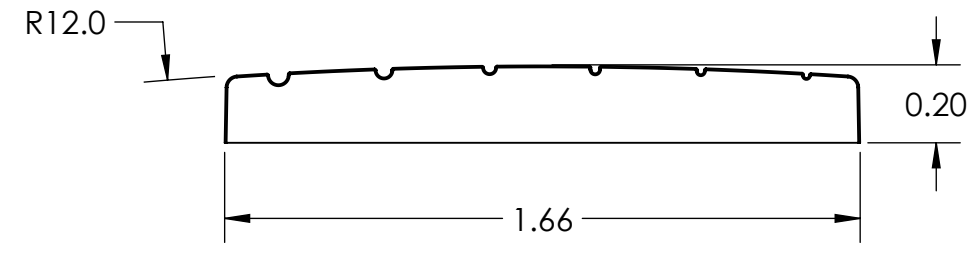
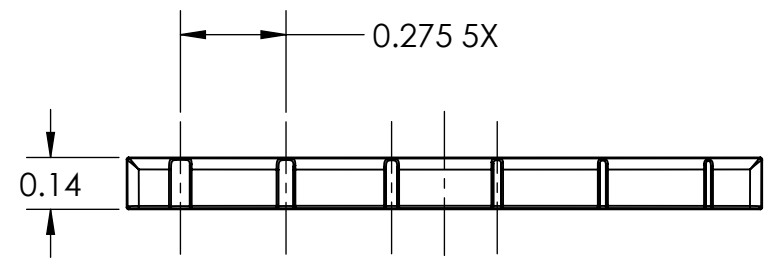
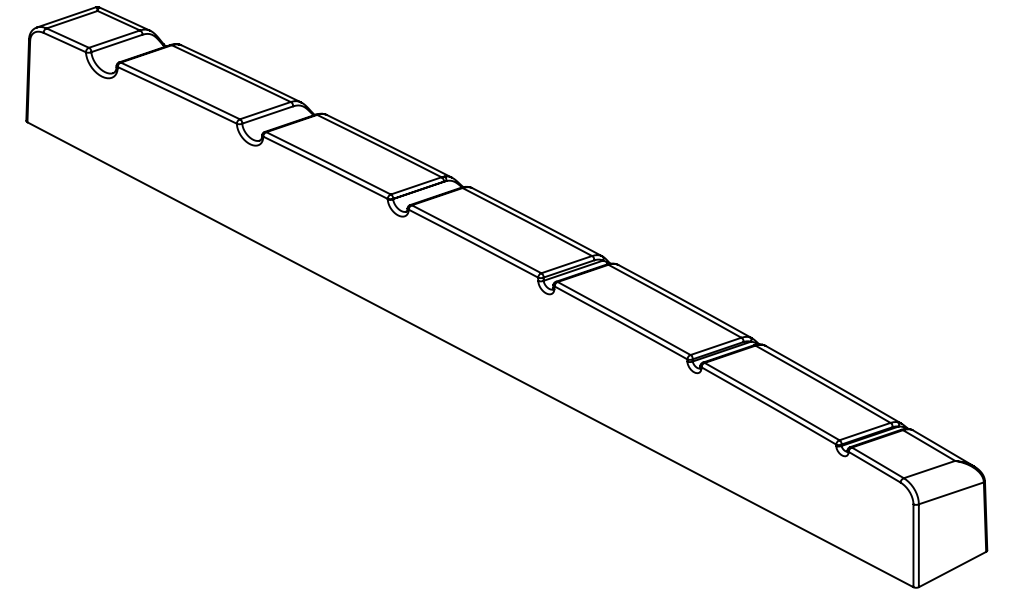
8 7 6 5 4 3 2 1

D
C
B
A

D
C
B
A



FRONT VIEW
SCALE 4:1



PROPRIETARY AND CONFIDENTIAL
THE INFORMATION CONTAINED IN THIS DRAWING IS THE SOLE PROPERTY OF SKYWAY INTERNATIONAL INC. ANY REPRODUCTION IN PART OR AS A WHOLE WITHOUT THE WRITTEN PERMISSION OF SKYWAY INTERNATIONAL INC IS PROHIBITED.

UNLESS OTHERWISE SPECIFIED:		NAME	DATE	SKYWAY INTERNATIONAL INC.	
DIMENSIONS ARE IN INCHES		DRAWN	EE	TITLE:	
TOLERANCES:		CHECKED		NUT-003 GUITAR NUT	
FRACTIONAL: $\pm 1/64$		ENG APPR.		SIZE	DWG. NO.
ANGULAR: $\pm 0.5^\circ$		MFG APPR.		B	N/A
ONE PLACE DECIMAL: ± 0.015		Q.A.		SCALE: 2:1	WEIGHT: N/A
TWO PLACE DECIMAL: ± 0.010		COMMENTS:		SHEET 1 OF 1	REV
THREE PLACE DECIMAL: ± 0.005					B
INTERPRET GEOMETRIC TOLERANCING PER: ASME Y14.5M-1994					
MATERIAL					
FINISH					
DO NOT SCALE DRAWING					

8 7 6 5 4 3 2 1