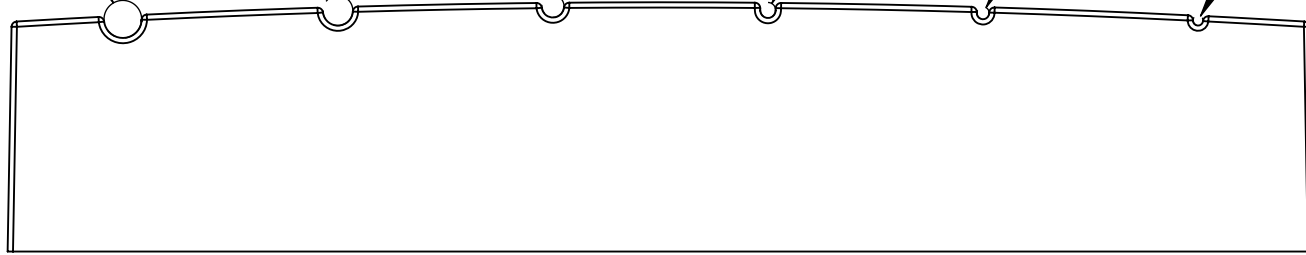
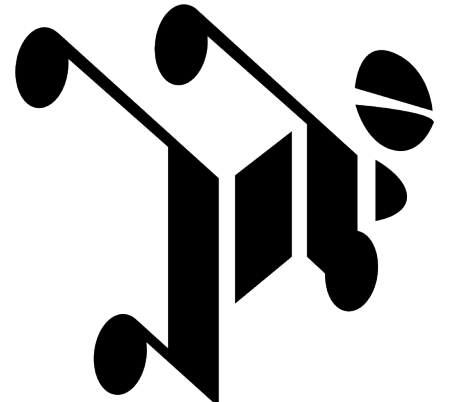
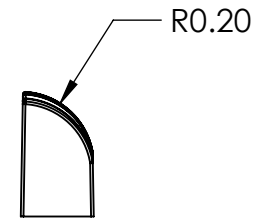
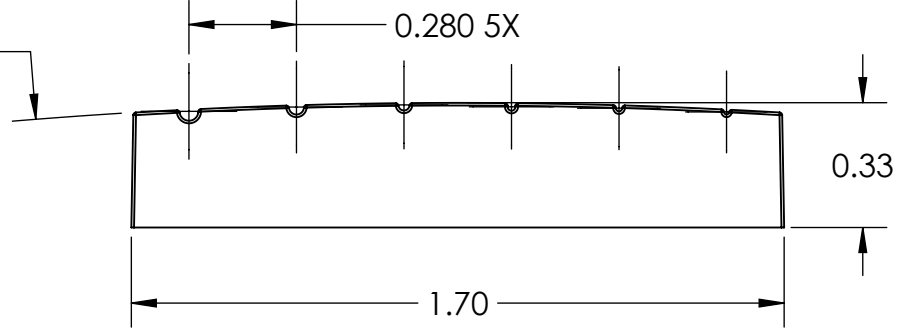
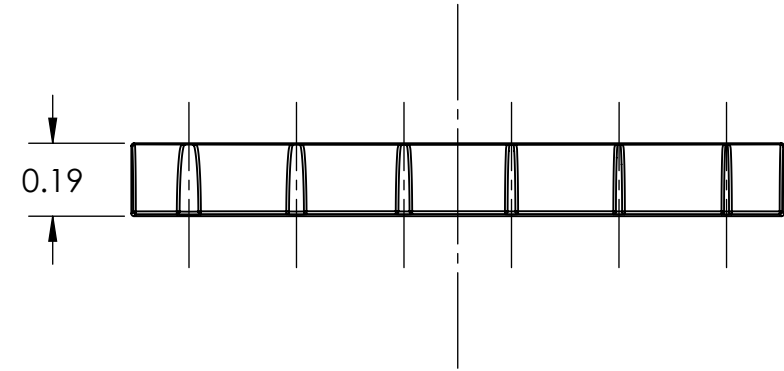
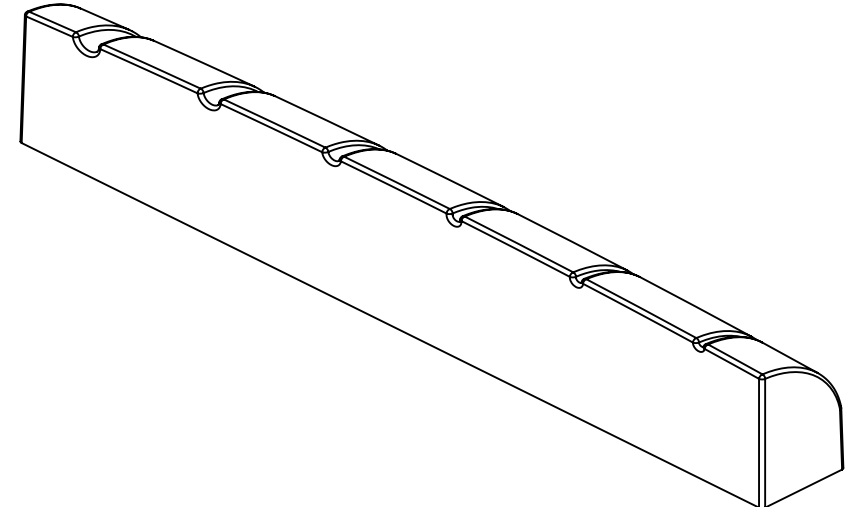


8 7 6 5 4 3 2 1

$\phi 0.049^{+0.005}_{-0.000}$   
 $\phi 0.039^{+0.005}_{-0.000}$   
 $\phi 0.029^{+0.005}_{-0.000}$   
 $\phi 0.020^{+0.005}_{-0.000}$   
 $\phi 0.016^{+0.005}_{-0.000}$   
 $\phi 0.013^{+0.005}_{-0.000}$



FRONT VIEW  
SCALE 4:1



PROPRIETARY AND CONFIDENTIAL  
 THE INFORMATION CONTAINED IN THIS  
 DRAWING IS THE SOLE PROPERTY OF  
 SKYWAY INTERNATIONAL INC. ANY  
 REPRODUCTION IN PART OR AS A WHOLE  
 WITHOUT THE WRITTEN PERMISSION OF  
 SKYWAY INTERNATIONAL INC IS  
 PROHIBITED.

UNLESS OTHERWISE SPECIFIED:		NAME	DATE	SKYWAY INTERNATIONAL INC.	
DIMENSIONS ARE IN INCHES		DRAWN	EE	TITLE:	
TOLERANCES:		CHECKED		NUT-006 GUITAR NUT	
FRACTIONAL: $\pm 1/64$		ENG APPR.		SIZE	DWG. NO.
ANGULAR: $\pm 0.5^\circ$		MFG APPR.		B	N/A
ONE PLACE DECIMAL: $\pm .015$		Q.A.		SCALE: 2:1	WEIGHT: N/A
TWO PLACE DECIMAL: $\pm .010$		COMMENTS:		SHEET 1 OF 1	REV
THREE PLACE DECIMAL: $\pm .005$					C
INTERPRET GEOMETRIC TOLERANCING PER: ASME Y14.5M-1994	MATERIAL				
FINISH					
DO NOT SCALE DRAWING					

8 7 6 5 4 3 2 1